

COMMERCIAL TRAINING TOOLBOX TIPS

Field-Installed Smoke Alarm Connections for Emergence A Box Rooftop Units

Applies to Lennox Emergence 3 – 6 Ton Rooftop Units that have a field-installed smoke alarm kit

Helpful Resources

1. Prodigy app. Download links below. Emergence units only.
2. Prodigy Setup Guide – 507241. Emergence units only. Download from LennoxPros or LennoxCommercial.com.
3. D4P120 & D4S Smoke Detector Kits Installation Manual – 506218. Used with Emergence LCH/LGH036-072 units. Download from LennoxPros or LennoxCommercial.com.

Steps Before Startup or when Receiving a “Smoke” Alert upon Startup

1. Before startup or when receiving a "smoke" alert upon startup, confirm that the smoke detection kit has been installed properly.
2. Identify the smoke detector kit components (return air sampling sensor, supply air sampling sensor, and power board) in the RTU.
 - a. Refer to the D4P120 & D4S Smoke Detector Kits Installation Manual – 506418, or Figure 1 below, for approximate smoke detector kit component locations.
 - b. If the power board or sampling sensors have not been installed, stop and immediately call 1-800-4-LENNOX for technical support. Be ready to provide the unit serial number at the time of the call.
 - c. If the unit has been used during the construction phase, ensure that sensors are reconnected properly and are clear of dust.

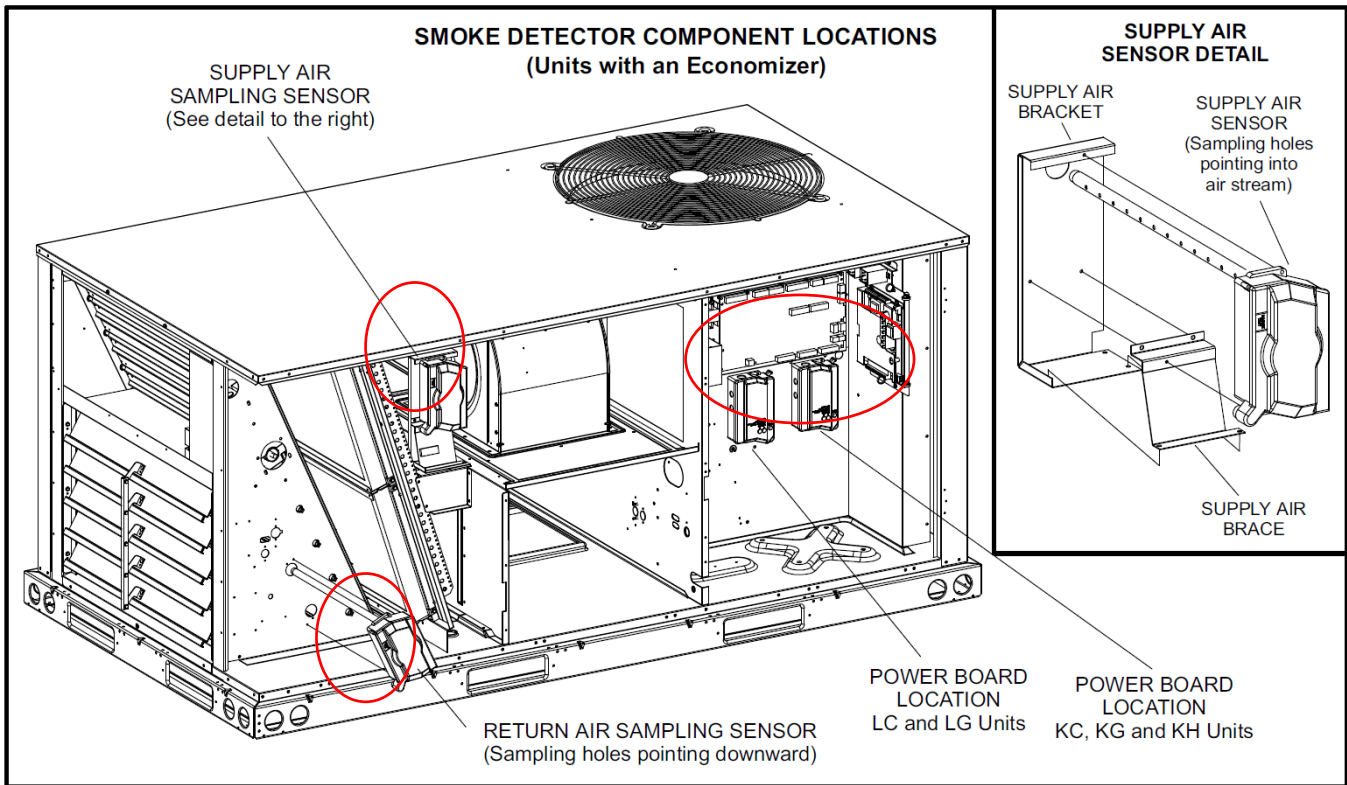


Figure 1. Smoke Detector Kit Component Locations

MORE Training Toolbox Tips Available!
Click the links below to download them all.

[English](#)

[French Canadian](#)



Click to register for any of the Lennox Commercial Product Technical Training Webinars.



Just-in-Time Training



Field-Installed Smoke Alarm Connections for Emergence A Box Rooftop Units
Applies to Lennox Emergence 3 – 6 Ton Rooftop Units that have a field-installed smoke alarm kit

3. Confirm that all wiring connections have been made properly.
 - a. Refer to the wiring diagrams in the D4P120 & D4S Smoke Detector Kits Installation Manual – 506218, or Figure 2 below, and locate the wiring harnesses for each sensor that has been installed.
 - b. Ensure that the correct wiring harnesses were used and that they were connected properly.

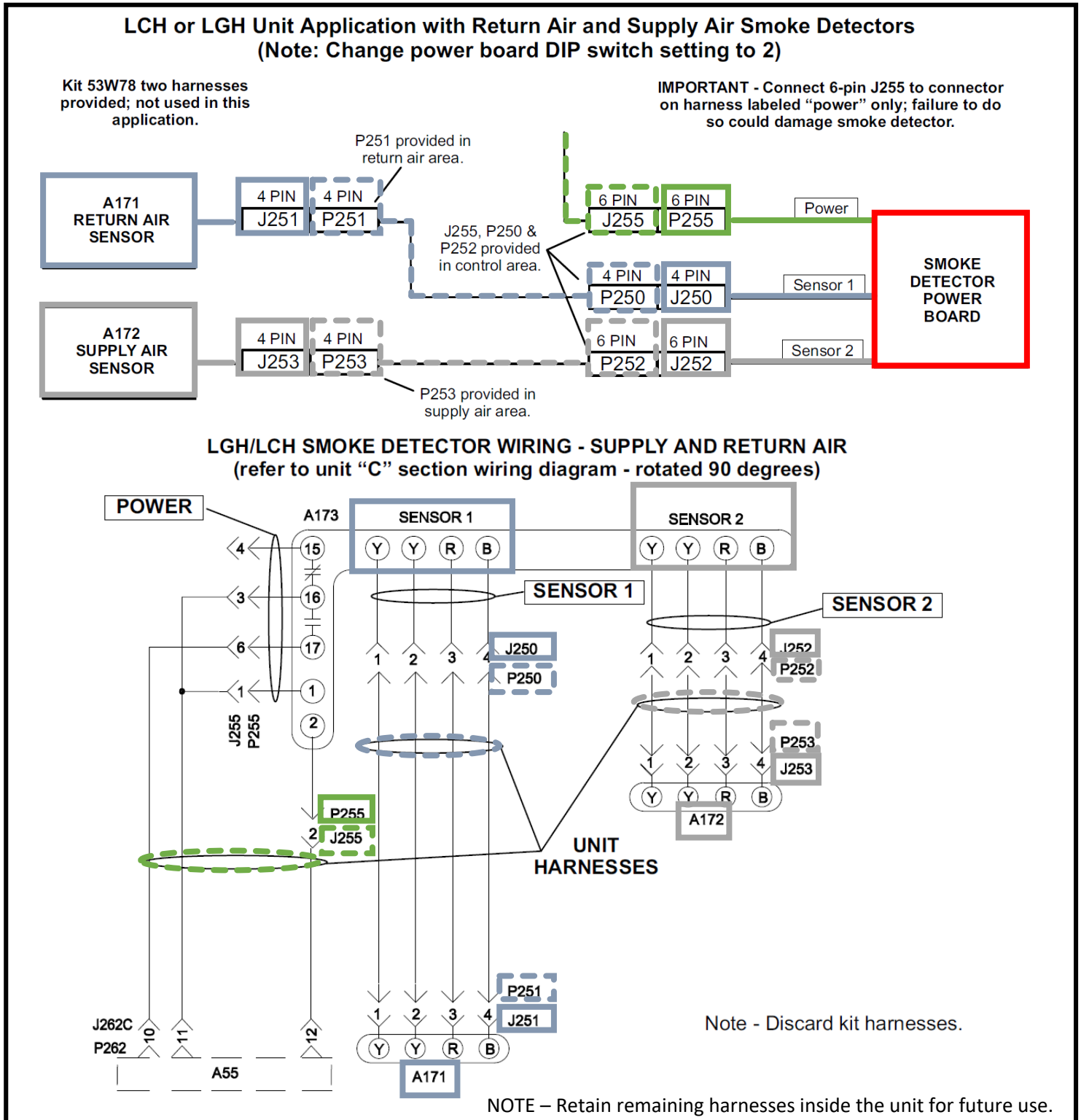


Figure 2. Wiring Diagrams from 506218